

Soap dispenser, BA57VC225

Serie	Nia
Typ	Seifenhalter und Seifenspender
Material	chrome plated
Content l	0.24
Farbe	glass clear
Sanitas-Troesch Nr.	4134 247.501.000
Team Nr.	511188.501.000

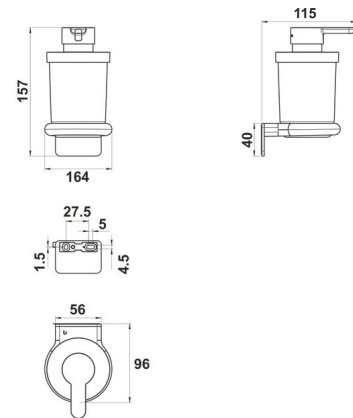
Produktbeschreibung

NIA Adesio Soap dispenser Chrome plated, container 0.24 l clear glass Mounting gluing or drilling incl. fixing material (without glue) Adhesive filling quantity: 1,2 ml SikaFast

Produktabbildung



Masszeichnung



Pflegehinweise

Finden Sie unter [bodenschatz.ch/en-ch/service/reinigung-pflege/](https://www.bodenschatz.ch/en-ch/service/reinigung-pflege/)

Ersatzteile & Zubehör

BA40IN840	Set of hex socket screws
BA40XX600	Starter Kit cartridge adhesive 50ml
BA40XX610	Adhesive suitcase cartridge adhesive 50ml
BA40XX612	Working Kit with cartridge adhesive 50ml
BA40XX620	Adhesive suitcase cartridge adhesive 250ml
BA40XX622	Working Kit cartridge 250ml
BA40XX630	Adhesive SikaFast Dual syringe 10 ml
BA40XX632	Working Kit Mini Dual Syringe Adhesive 10 ml
BA57VC831	Pump head
BA57VC832	Dispenser pushbutton
BA57VC880	Closing lid inc. sealing ring and pump
BA57VC921	Wall flange combination for gluing/screwing
BA57XX500	Replacement set for pump
BA57XX801	Glass + container soap dispenser
BA57XX826	Plastic insert
BA57XX834	Sealing ring