

## Soap dispenser unbreakable BPA free, BA57VC227

---

Serie	Nia
Typ	Seifenhalter und Seifenspender
Material	chrome plated
Content l	0.25
Farbe	Tritan unbreakable frosted
Sanitas-Troesch Nr.	4134 245.501.000
Team Nr.	511191.501.000

## Produktbeschreibung

---

NIA Adesio Soap dispenser Savonnette Dispenser frosted 0.25 l unbreakable TritanBPAfree Mounting gluing or drilling incl. fixing material (without glue) Adhesive filling quantity: 1,2 ml SikaFast

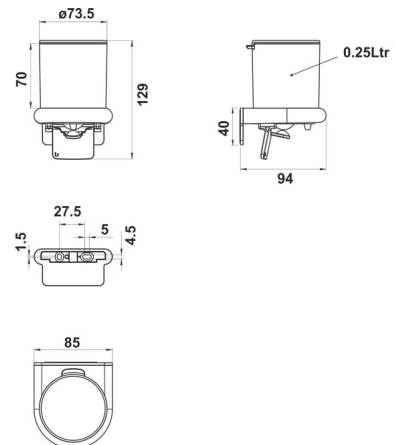
## Produktabbildung

---



## Masszeichnung

---



## Pflegehinweise

---

Finden Sie unter [bodenschatz.ch/en-ch/service/reinigung-pflege/](https://www.bodenschatz.ch/en-ch/service/reinigung-pflege/)

## Ersatzteile & Zubehör

---

BA40IN840	Set of hex socket screws
BA40VC886	Operating lever for Savonette soap dispenser
BA40XX600	Starter Kit cartridge adhesive 50ml
BA40XX610	Adhesive suitcase cartridge adhesive 50ml
BA40XX612	Working Kit with cartridge adhesive 50ml
BA40XX620	Adhesive suitcase cartridge adhesive 250ml
BA40XX622	Working Kit cartridge 250ml
BA40XX630	Adhesive SikaFast Dual syringe 10 ml
BA40XX632	Working Kit Mini Dual Syringe Adhesive 10 ml
BA40XX885	Rubber membrane for Savonette soap dispenser
BA57VC925	Wall flange combination for gluing/screwing
BA57XX880	Lid
BA58XX884	Pump mechanism for Savonette soap dispenser