

Toilet paper holder with lid, BA57VC251

| | |
|---------------------|------------------|
| Serie | Nia |
| Typ | WC-Papierhalter |
| Material | chrome plated |
| Opening | right |
| Sanitas-Troesch Nr. | 4134 261.501.000 |
| Team Nr. | 511198.501.000 |

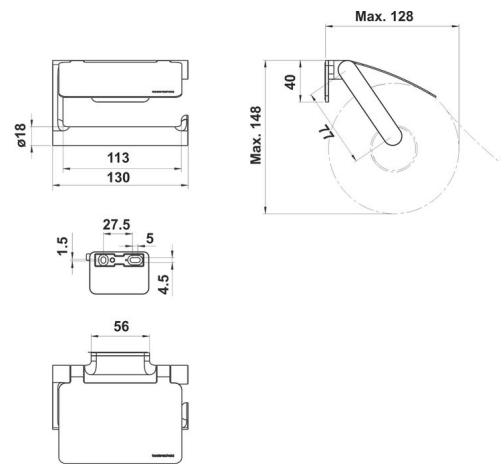
Produktbeschreibung

NIA Adesio Toilet paper holder with lid left/right side Mounting gluing or drilling incl. fixing material (without glue) Adhesive filling quantity: 1,2 ml SikaFast

Produktabbildung



Masszeichnung



Pflegehinweise

Finden Sie unter bodenschatz.ch/en-ch/service/reinigung-pflege/

Ersatzteile & Zubehör

BA40IN840 Set of hex socket screws

| | |
|-----------|--|
| BA40XX600 | Starter Kit cartridge adhesive 50ml |
| BA40XX610 | Adhesive suitcase cartridge adhesive 50ml |
| BA40XX612 | Working Kit with cartridge adhesive 50ml |
| BA40XX620 | Adhesive suitcase cartridge adhesive 250ml |
| BA40XX622 | Working Kit cartridge 250ml |
| BA40XX630 | Adhesive SikaFast Dual syringe 10 ml |
| BA40XX632 | Working Kit Mini Dual Syringe Adhesive 10 ml |
| BA57VC921 | Wall flange combination for gluing/screwing |