

Shower basket with shower wiper, BA59VC172

Serie	Signa
Typ	Duschkörbe
Material	chrome plated
Basket height cm	length-27 x 11.8 x (H)6 cm
Sanitas-Troesch Nr.	4134 605.501.000
Team Nr.	512292.501.000

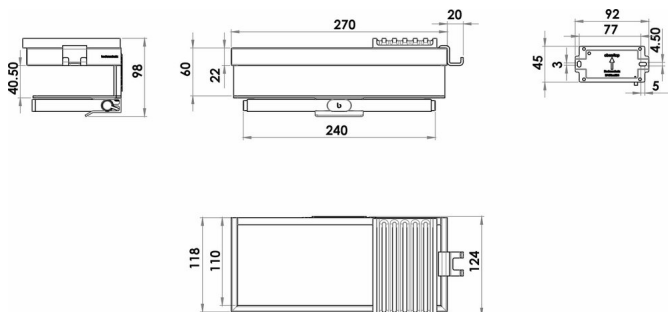
Produktbeschreibung

SIGNA shower basket chrome plated, with shower wiper, soap holder and multi hook, Mounting Adesio for gluing or drilling, incl. fixing material (without glue), filling quantity adhesive: 2.4 ml SikaFast

Produktabbildung



Masszeichnung



Pflegehinweise

Finden Sie unter bodenschatz.ch/en-ch/service/reinigung-pflege/

Ersatzteile & Zubehör

BA40IN840 Set of hex socket screws

BA40IN906	Mountingset panhead screws for drillingTowelholder
BA40XX066	Rubber lip for shower wiper
BA40XX600	Starter Kit cartridge adhesive 50ml
BA40XX610	Adhesive suitcase cartridge adhesive 50ml
BA40XX612	Working Kit with cartridge adhesive 50ml
BA40XX618	Pistol cartridge 50 ml
BA40XX620	Adhesive suitcase cartridge adhesive 250ml
BA40XX622	Working Kit cartridge 250ml
BA40XX628	Pistol cardridge 250 ml
BA40XX630	Adhesive SikaFast Dual syringe 10 ml
BA40XX632	Working Kit Mini Dual Syringe Adhesive 10 ml
BA59SM408	Hook multifunctional for shower basket
BA59SM804	Soap holder for shower basket
BA59SM832	Cap for shower wiper
BA59VC401	Shower wiper for shower basket
BA59VC816	Shelf for shower basket
BA59XX407	Hook for shower wiper
BA59XX824	Wall flange for shower basket