

Toilet paper holder, BA24IN150

Serie	Innox
Typ	WC-Papierhalter
Material	inox electropolished
Execution	without cover / tray
Richner-Nr.	7521281
Sanitas-Troesch Nr.	4134 162.524.000
Team Nr.	511208.515.000

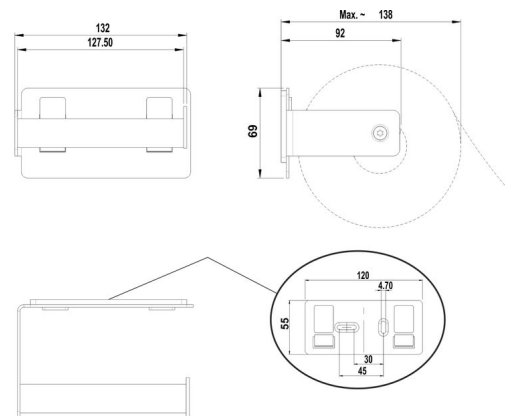
Produktbeschreibung

INNOX Toilet paper holder without lid / shelf Stainless steel electropolished/brushed
Mounting gluing or drilling incl. fixing material (without glue) Adhesive filling quantity:
2,1 ml SikaFast

Produktabbildung



Masszeichnung



Pflegehinweise

Finden Sie unter [bodenschatz.ch/en-ch/service/reinigung-pflege/](https://www.bodenschatz.ch/en-ch/service/reinigung-pflege/)

Ersatzteile & Zubehör

BA24XX824	Wall flange 2-fold plastic to INNOX
BA40XX600	Starter Kit cartridge adhesive 50ml
BA40XX610	Adhesive suitcase cartridge adhesive 50ml
BA40XX612	Working Kit with cartridge adhesive 50ml
BA40XX620	Adhesive suitcase cartridge adhesive 250ml
BA40XX622	Working Kit cartridge 250ml
BA40XX630	Adhesive SikaFast Dual syringe 10 ml
BA40XX632	Working Kit Mini Dual Syringe Adhesive 10 ml