

## Shower basket, corner model, BA40VC540

Serie	Universal Accessoires
Typ	Duschkörbe
Material	chrome plated
Basket height cm	length-16.35 x 16.35 x (H)7 cm
Richner-Nr.	7854575
Sanitas-Troesch Nr.	4531 236.501.000
Team Nr.	511730.501.000

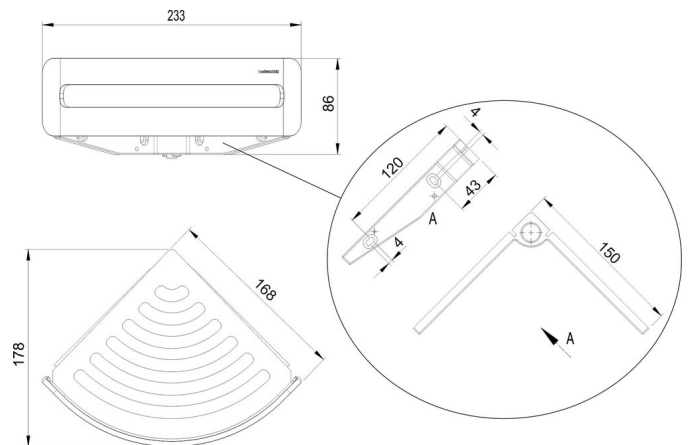
## Produktbeschreibung

BODENSCHATZ shower basket, corner model, concealed fitting, basket height 6 cm, 17 x 17 cm. Mounting gluing or drilling incl. fixing material (without glue) Filling quantity adhesive: 2x 1,50 ml SikaFast

## Produktabbildung



## Masszeichnung



## Pflegehinweise

Finden Sie unter [bodenschatz.ch/en-ch/service/reinigung-pflege/](https://bodenschatz.ch/en-ch/service/reinigung-pflege/)

## Ersatzteile & Zubehör

---

BA40IN905	Mounting set pan head screws for drilling
BA40VC401	Shower wiper
BA40VC405	Shower wiper with rubber lip
BA40VC408	Universal holder for shower wiper or razor
BA40VC409	Universal wall holder for shower wiper
BA40VC900	Bonding Set Shower sliding bar SimiGliss
BA40VC907	Showerholder round
BA40VC908	Shower holder square
BA40XX347	Wall part to shower basket
BA40XX600	Starter Kit cartridge adhesive 50ml
BA40XX610	Adhesive suitcase cartridge adhesive 50ml
BA40XX612	Working Kit with cartridge adhesive 50ml
BA40XX620	Adhesive suitcase cartridge adhesive 250ml
BA40XX622	Working Kit cartridge 250ml
BA40XX630	Adhesive SikaFast Dual syringe 10 ml
BA40XX632	Working Kit Mini Dual Syringe Adhesive 10 ml
BA40XX856	Wall spacer unbreakable BPA free
BA77XX878	Hook for shower basket